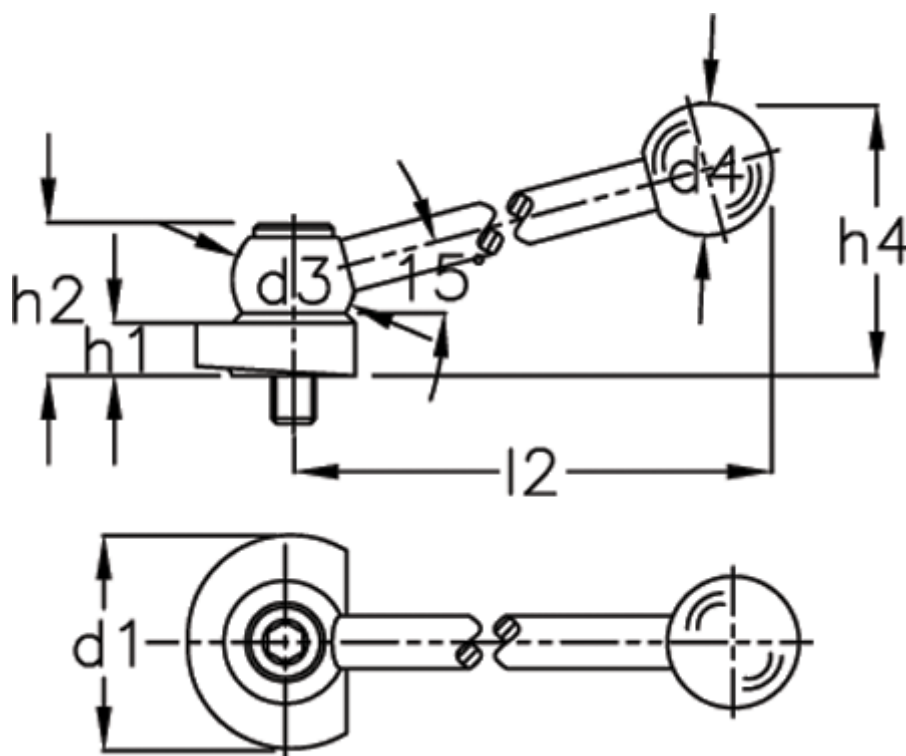


Article number: 20926467

Description: E+G Clamping bolt GN 918.2-50-KV-R
For eccentric cams

Measures



d1 = 50
d3 = 28
d4 = 30
H1 = 12
H2 = 34.5
H4 = 62
l2 = 109